

# Southeast Morris County Municipal Utilities Authority

19 SADDLE ROAD • CEDAR KNOLLS, NEW JERSEY 07927 • TEL 973-326-6880 • FAX 973-326-9521

## VALVE BOX

### GENERAL

The Southeast Morris County Municipal Utilities Authority (referred to herein as the “Authority”) is subject to the standard terms and conditions set forth by the Authority’s Rules and Regulations, pursuant to N.J.S.A. 40:14B.

As a public water supply, the Authority is required to protect and provide safe drinking water to consumers in accordance with the N.J.A.C. 7:10 Safe Drinking Water Act Rules.

The Authority is committed to providing an efficient process for developers to achieve their project goals in accordance with the Authority’s Rules and Regulations.

Developers interested in conducting business with the Authority shall comply with the standard terms and conditions mandated by the Authority’s Rules and Regulations.

Developer shall mean applicant responsible for application, fees and contract agreement with the Authority.

### REFERENCE

ANSI/AWWA	American National Standards Institute/American Water Works Standards
C104/A21.4-13	Cement-Mortar Lining for Ductile-Iron Pipe and Fittings
C110/A21.10-12	Ductile-Iron and Gray-Iron Fittings
C111/A21.11-12	Rubber-Gasket Joints for Ductile-Iron Pressure Pipe and Fittings
C151/A21.51-09	Ductile-Iron Pipe, Centrifugally Cast
C502-05	Dry-Barrel Fire Hydrants
C509-09	Resilient-Seated Gate Valves for Water Supply Service
C511-07	Reduced-Pressure Principle Backflow Prevention Assembly
C651-05	Disinfecting Water Mains
C700-09	Cold-Water Meters – Displacement Type, Bronze Main Case
C702-10	Cold-Water Meters – Compound Type
C703-11	Cold-Water Meters – Fire-Service Type
ASTM	American Society for Testing and Materials
ASTM B88	Standard Specification for Seamless Copper Water Tube
N.J.S.A. 40:14B	New Jersey Statutes – Title 40 Municipal and County Utilities Authorities Law
N.J.A.C. 7:10	New Jersey Administrative Code – Title 7 Safe Drinking Water Act Rules
NSF	National Sanitation Foundation International Standard
NSF/ANSI 61	Drinking Water System Components – Health Effects
Rules and Regulations	The Southeast Morris County Municipal Utilities Authority’s Rules and Regulations

## REQUIREMENTS

1. Developers shall verify that all submittals conform to local, county and state ordinances.
2. Road opening permits on local and county roads shall be obtained by the developer. State road opening permits shall be obtained by the Authority at the developer's expense.
3. All excavation and backfill shall be the responsibility of the developer.
4. Only authorized personnel of the Authority will be permitted to make connections to the water mains of the Authority, access and operate curb stops, hydrants and valves as mandated by the Rules and Regulations.
5. All proposed materials shall be submitted for approval. Failure to submit information shall cause the Authority to reject work and deny water service.
6. All materials submitted for approval shall be of first-class high-grade quality, clean and sound and conform to the latest revisions of ANSI/AWWA Standards. No inferior or low-grade materials will be approved or accepted.
7. All materials shall be approved for NSF/ANSI 61 for potable drinking water.
8. All materials shall be manufactured in the United States of America.
9. As-built drawings shall be prepared and submitted to the Authority on a CD in PDF and CAD format, indicating the location of all facilities installed before water is turned on.

### SPECIFICATIONS FOR VALVE BOX (see Section 7 of the Rules and Regulations):

1. Valve boxes shall be in compliance with ANSI/AWWA standards.
2. Valve boxes shall meeting the following requirements:
  - a. Cast iron, two-piece;
  - b. Slide type with 5-1/4" shaft with a round base;
  - c. Extra deep covers with the word "WATER" cast on and an arrow indicating direction of opening;
  - d. Be adjustable up to 5-ft. trench with two (2) piece round head;
  - e. Suitable for use with valves from 4" to 12"; and
  - f. Manufactured by Tyler Company or approved equal.
3. Example provided in **Appendix G**.

## APPENDIX G

# Tyler/Union

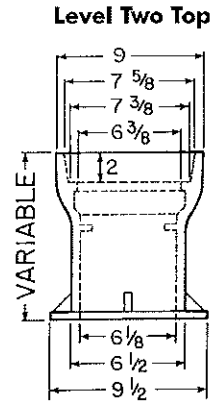
## 6855 SERIES CAST IRON TWO-PIECE VALVE BOXES for 4" through 12" valves, 5 1/4" shaft, slip-type

New ways to save on valve boxes. Eliminate extra handling by buying pre-assembled units. Save on single parts and accessories. Lower unit cost by purchasing Valu-Paks of 30 to 80 pieces of tops and bottoms in crates. See list price sheet for pricing details.

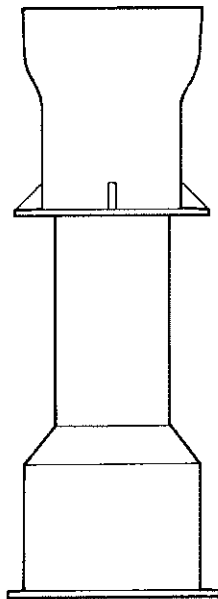
### THREE WAYS TO SAVE 6855 VALVE BOX

Level 1 Boxes Assembled	Level 2 Individual Parts Not Assembled	Level 3 VALU-PAK Parts Not Assembled
-------------------------------	--	--

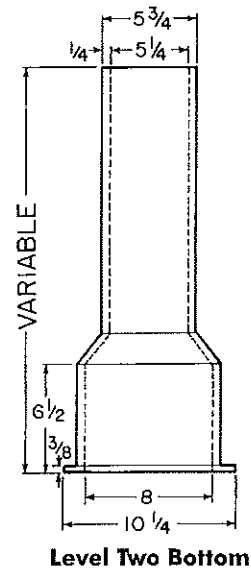
Note: A "BOX" is one top and one bottom



### LEVEL ONE Boxes Assembled/Less Lid



Box Assembled



Level Two Bottom

### LEVEL ONE: BOXES ASSEMBLED LESS LIDS

Box (Components)	Extension Height	UPCode 670610	Weight
461-A (10T + 15B)	19-22	(Not Offered Assembled)	
462-A (10T + 24B)	27-32	(Not Offered Assembled)	
562-A (16T + 24B)	27-37	145868	72
563-A (16T + 30B)	33-43	145714	81
564-A (16T + 36B)	39-50	145875	83
662-A (26T + 30B)	36-52	145721	97
664-A (26T + 36B)	39-60	145882	99
666-A (26T + 24B + #60 Ext)	51-71	(Not Offered Assembled)	
668-A (26T + 36B + #60 Ext)	62-82	(Not Offered Assembled)	

Lids marked "WATER" will ship unless otherwise specified:  
Also available 5 1/4" Drop Lids"

WATER OMA  
SEWER  
MWW  
(PLAIN)  
GAS

# Tyler/Union

## 6855 SERIES CAST IRON TWO-PIECE VALVE BOXES for 4" through 12" valves, 5 1/4" shaft, slip-type

### LEVEL TWO - Parts Not Assembled/Less Lids

#### TOPS & BOTTOMS

Box (Components)	Assy Height	Tops (less lids)			Bottoms			Extensions
		UPCode 670610	Lgt	Wt	UPCode 670610	Lgt	Wt	UPCode 670610
461-A (10T + 15B)	19-22	144960	10T	29	145073	15B	26	
462-A (10T + 24B)	27-32	144960	10T	29	145080	24B	36	
562-A (16T + 24B)	27-37	144977	16T	36	145080	24B	36	
563-A (16T + 30B)	33-43	144977	16T	36	145127	30B	45	
564-A (16T - 36B)	39-50	144977	16T	36	145097	36B	47	
662-A (26T - 30B)	36-52	144984	26T	52	145127	30B	45	
664-A (26T + 36B)	39-60	144984	26T	52	145097	36B	47	
666-A (26T + 24B + #60 Ext)	51-71	144984	26T	52	*145011	24B	35	145066
668-A (26T + 36B + #60 Ext)	62-82	144984	26T	52	*145028	36B	49	145066

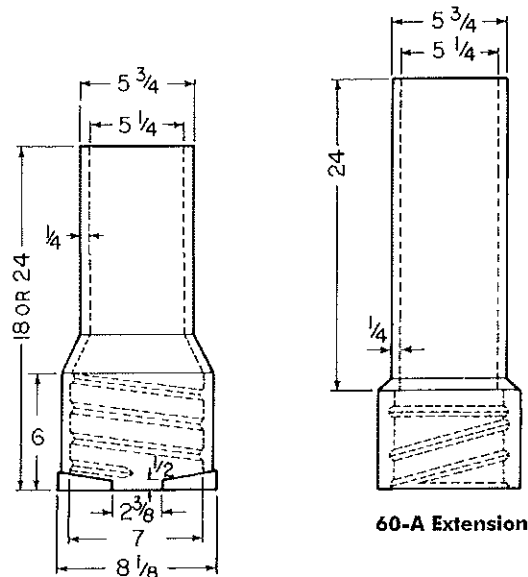
\*NOTE: These are 6850 Bottoms used to accommodate the interior threads of the applicable extensions.

#### LIDS & RISERS

All Lids..... Page 45  
All Risers..... Page 46

#### EXTENSIONS

Item/Description	UPCode 670610	Height Increase	Wt
#58-A Slip-Type	145233	14	29
#59-A Slip-Type	145240	18	30
#60-A Slip-Type	145066	24	36



58-A and 59-A Extension

60-A Extension

### LEVEL THREE - Crates of tops and bottoms, not assembled, less lids. Easy to handle, ships from stock.

#### TOPS OR BOTTOMS

Box (Components)	Assy Height	Tops (less lids)				Bottoms			
		UPCode 670610	Lgt	Wt	Qty	UPCode 670610	Lgt	Wt	Qty
461-A (10T + 15 B)	19-22	376996	10T	2320	80	372023	15B	1040	40
462-A (10T + 24B)	27-32	376996	10T	2320	80	377030	24B	1080	30
562-A (16T + 24B)	27-37	377009	16T	1080	30	377030	24B	1080	30
563-A (16T + 30B)	33-43	377009	16T	1080	30	377047	30B	1350	30
564-A (16T + 36B)	39-50	377009	16T	1080	30	377054	36B	1410	30
662-A (26T + 30B)	36-52	377016	26T	1560	30	377047	30B	1350	30
664-A (26T + 36B)	39-60	377016	26T	1560	30	377054	36B	1410	30
666-A (26T + 24B + #60 Ext)	*51-71	377016	26T	1560	30	*376958	24B	1050	30
668-A (26T + 36B + #60 Ext)	*62-82	377016	26T	1560	30	*376972	36B	1470	30

\*Extensions (Required on 666-A & 668-A)

\* See Note Above.

#60-A Slip-Type

24" Height Increase

377061

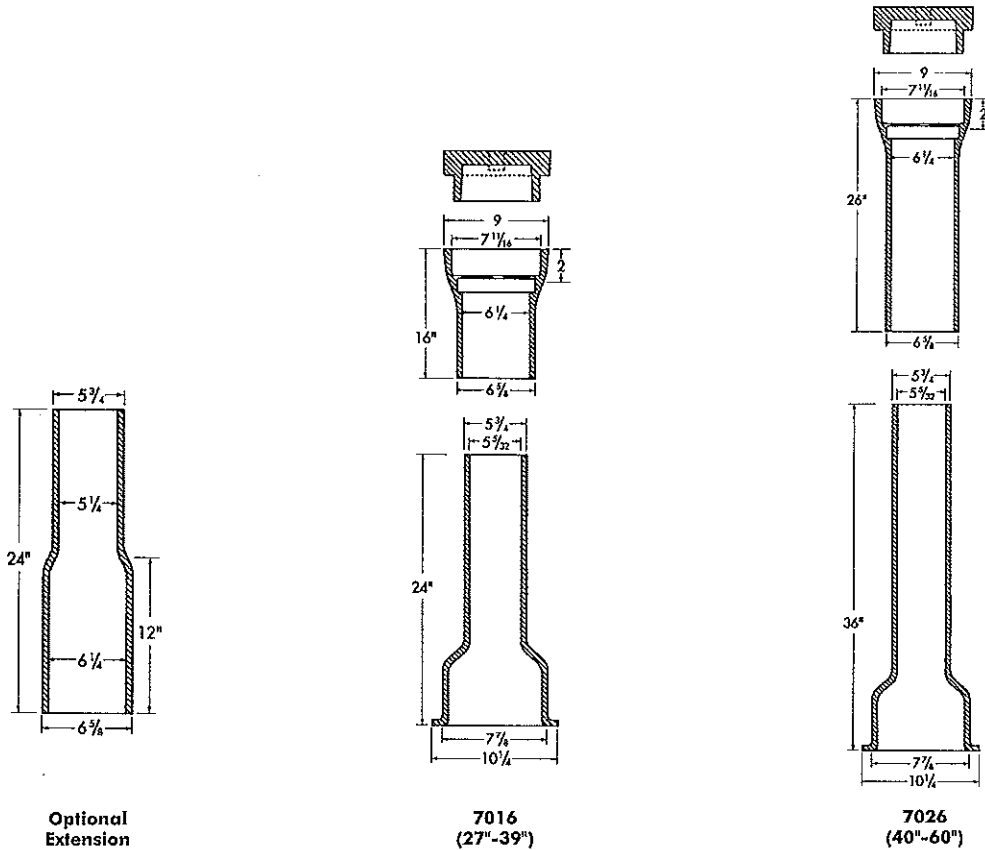
1080 30

NOTES: To get equal numbers, order two crates of bottoms for each crate of tops for 461A, 562A, 563A and 564A. Order lids separately, see above.

# Tyler/Union

## 7000 SERIES TYLER TY-SPUN ADJUSTABLE VALVE BOX COMPLETE WITH O-RING

Sold Individually or in Valu-Paks of 12  
5 1/4" Water Lid Sold Separately



### 7016-7026 STANDARD (Individual Box)

Item	Assembly Height	UPCode 670610	Each	Weight Each
7016 (16T + 24B)	27-39	376224	1	79
7026 (26T + 36B)	40-60	376231	1	106

### VALU-PAKS (12 per pack)

Item	Assembly Height	UPCode 670610	Weight Bndl. (12)
7016 (16T) Top	16	382706	444
7026 (26T) Top	26	382737	588
7000 (24B) Bottom	24	382720	360
7000 (36B) Bottom	36	382751	540

### 7000 SERIES PARTS

Item	Height Increase	UPCode. 670610	Weight
7016 16T Top	...	376200	37.0
7026 26T Top	...	376217	49.0
7000 24B Bottom	...	374855	30.0
7000 36B Bottom	...	370376	45.0
Extension	24"	372981	28.0
*O-Ring	...	370390	0.2

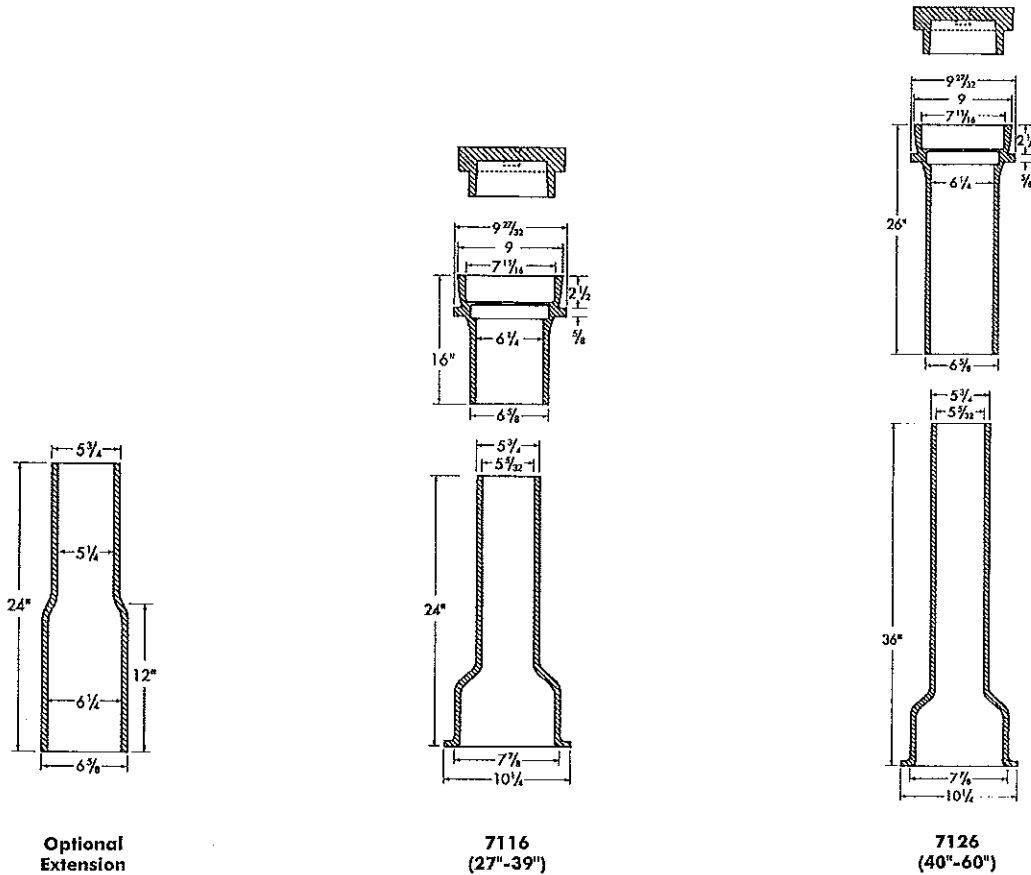
\*O-Ring must be shipped with each extension piece.

Optional Lids ..... Page 45  
Risers ..... Page 46

# Tyler/Union

## 7100 SERIES TYLER TY-SPUN ADJUSTABLE VALVE BOX COMPLETE WITH O-RING

Sold Individually or in Valu-Paks of 12  
5 1/4" Water Lid Sold Separately



### 7116-7126 STANDARD (Individual Box)

Item	Assembly Height	UPCode 670610	Each	Weight Each
7116 (16T + 24B)	27-39	376781	1	79
7126 (26T + 36B)	40-60	376798	1	106

### VALU-PAKS (12 per pack)

Item	Assembly Height	UPCode 670610	Weight Bndl. (12)
7116 (16T) Top	16	382713	444
7126 (26T) Top	26	382744	588
7100 (24B) Bottom	24	382720	360
7100 (36B) Bottom	36	382751	540

### 7000 SERIES PARTS

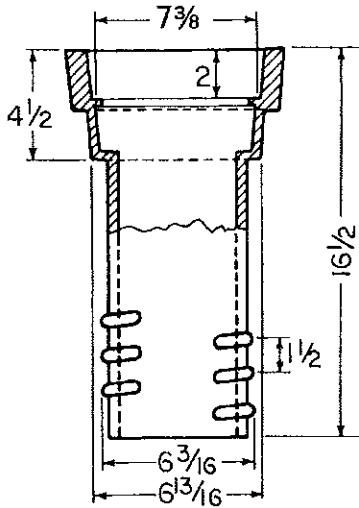
Item	Height Increase	UPCode. 670610	Weight
7016 16T Top	...	376200	37.0
7026 26T Top	...	376217	49.0
7000 24B Bottom	...	374855	30.0
7000 36B Bottom	...	370376	45.0
Extension	24"	372981	28.0
*O-Ring	...	370390	0.2

\*O-Ring must be shipped with each extension piece.

Optional Lids ..... Page 45  
Risers ..... Page 46

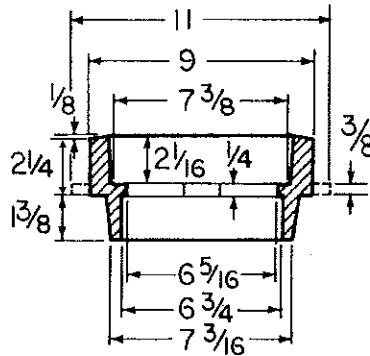
# Tyler/Union

## FIXED & ADJUSTABLE RISERS

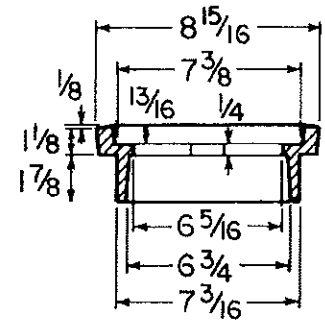


**#69 SCREW TYPE ADJUSTABLE RISER  
FOR 6850/60 SERIES  
(Uses Standard Drop Lid)**

UPCode	Height Increase	Weight
670610		
148197	2 1/2" - 9"	29



**5 1/4" x 2 1/4" Riser  
(Uses Standard 5 1/4"  
Drop Lid)**

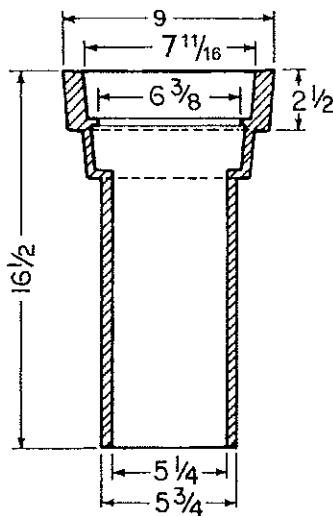


**5 1/4" x 1 1/8" Riser  
(Requires 1 1/8" Riser Lid)**

### RISERS

Item/Description	UPCode	Height Increase	Weight
5 1/4 x 1 1/8 Slip-In*	145554	1 1/8"	8
5 1/4 x 2 1/4 Slip-In	145547	2 1/4"	14

\*Use with 1 1/8" Lid Only.



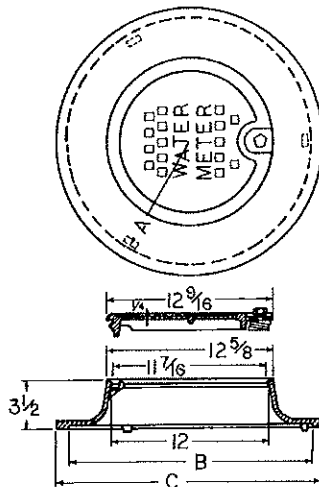
**#69-A SLIP TYPE ADJUSTABLE RISER  
FOR 6855 SERIES  
(Uses Standard Drop Lid)**

UPCode	Height Increase	Weight
670610		
148241	2 1/2" - 12"	29

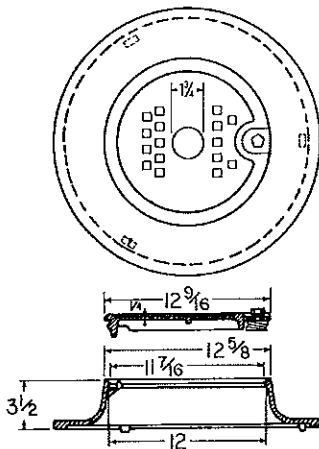


# Tyler/Union

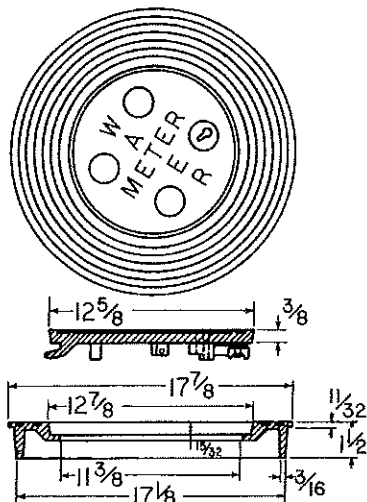
## METER COVERS, TOUCH-READER (TR) RINGS & LIDS



6150 Meter Box Cover



6150TR Meter Cover



6200 Meter Cover

### 6150 & 6150TR METER COVERS, CAST IRON

Description	A	B	C
18-in. 6150 Series	8 3/4	18	20
20-in. 6150	9 3/4	20	22

UPCode	Ship Code	Description	Weight
670610			
148449	S	6150-18 Ring & Lid B/L*	39
148456	S	6150-18 Ring & Lid B/S	39
148647	S	6150-18 Ring Only	27
148494	S	6150-18/20 Lid With Lock B/L*	13
148593	S	6150-L-1 8/20 Lid Less Lock	14
148500	S	6150-18/20 Lid With Lock B/S*	13
148463	S	6150-20 Ring & Lid B/L*	41
148470	S	6150-20 Ring & Lid B/S*	41
148630	S	6150-R-20 Ring Only	29

\*B/L = Large Bolts (1-1/32"); B/S = Small Bolts (27/32" Standard)

### 6150TR (TOUCH-READER) METER COVERS CAST IRON

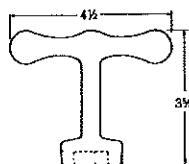
UPCode	Ship Code	Description	Weight
670610			
148531	S	6150-18 TR Ring & Lid B/L"	39
148524	S	6150-18 TR Ring & Lid B/S*	39
148579	S	6150-18/20 TR Lid With Lock B/L*	13
148562	S	6150-18/20 TR Lid With Lock B/S*	13
148586	S	6150-18/20 TR Lid Less Lock	12
148555	S	6150-20 TR Ring & Lid B/L*	41
148548	S	6150-20 TR Ring & Lid B/S*	41

\*B/L = Large Bolts (1-1/32"); B/S = Small Bolts (27/32")

NOTE: 6150TR - Same dimensions as 6150, plus a 1-27/32" access hole in lid.

### 6200 METER COVER, CAST IRON

UPCode	Ship Code	Description	Weight
670610			
148708	S	6200 Ring & Lid Less Lock	28
148760	S	6200-R Ring Only	18
148739	S	6200-L Lid Less Lock	13
148722	S	6200-L Lid With Lock	11



### WRENCH Fits Standard Waterworks Pentagon Head 27/32" Brass Screws

UPCode	Ship Code	Description	Weight
670610			
144908	S	Wrench	0.5