



Southeast Morris County Municipal Utilities Authority

19 SADDLE ROAD • CEDAR KNOLLS, NEW JERSEY 07927 • TEL 973-326-6880 • FAX 973-326-9521

LADDER SAFETY POST

GENERAL

The Southeast Morris County Municipal Utilities Authority (referred to herein as the "Authority") is subject to the standard terms and conditions set forth by the Authority's Rules and Regulations, pursuant to N.J.S.A. 40:14B.

As a public water supply, the Authority is required to protect and provide safe drinking water to consumers in accordance with the N.J.A.C. 7:10 Safe Drinking Water Act Rules.

The Authority is committed to providing an efficient process for developers to achieve their project goals in accordance with the Authority's Rules and Regulations.

Developers interested in conducting business with the Authority shall comply with the standard terms and conditions mandated by the Authority's Rules and Regulations.

Developer shall mean applicant responsible for application, fees and contract agreement with the Authority.

REFERENCE

ANSI/AWWA	American National Standards Institute/American Water Works Standards
C104/A21.4-13	Cement-Mortar Lining for Ductile-Iron Pipe and Fittings
C110/A21.10-12	Ductile-Iron and Gray-Iron Fittings
C111/A21.11-12	Rubber-Gasket Joints for Ductile-Iron Pressure Pipe and Fittings
C151/A21.51-09	Ductile-Iron Pipe, Centrifugally Cast
C502-05	Dry-Barrel Fire Hydrants
C509-09	Resilient-Seated Gate Valves for Water Supply Service
C511-07	Reduced-Pressure Principle Backflow Prevention Assembly
C651-05	Disinfecting Water Mains
C700-09	Cold-Water Meters – Displacement Type, Bronze Main Case
C702-10	Cold-Water Meters – Compound Type
C703-11	Cold-Water Meters – Fire-Service Type
ASTM	American Society for Testing and Materials
ASTM B88	Standard Specification for Seamless Copper Water Tube
N.J.S.A. 40:14B	New Jersey Statutes – Title 40 Municipal and County Utilities Authorities Law
N.J.A.C. 7:10	New Jersey Administrative Code – Title 7 Safe Drinking Water Act Rules
NSF	National Sanitation Foundation International Standard
NSF/ANSI 61	Drinking Water System Components – Health Effects
Rules and Regulations	The Southeast Morris County Municipal Utilities Authority's Rules and Regulations

REQUIREMENTS

1. Developers shall verify that all submittals conform to local, county and state ordinances.
2. Road opening permits on local and county roads shall be obtained by the developer. State road opening permits shall be obtained by the Authority at the developer's expense.
3. All excavation and backfill shall be the responsibility of the developer.
4. Only authorized personnel of the Authority will be permitted to make connections to the water mains of the Authority, access and operate curb stops, hydrants and valves as mandated by the Rules and Regulations.
5. All proposed materials shall be submitted for approval. Failure to submit information shall cause the Authority to reject work and deny water service.
6. All materials submitted for approval shall be of first-class high-grade quality, clean and sound and conform to the latest revisions of ANSI/AWWA Standards. No inferior or low-grade materials will be approved or accepted.
7. All materials shall be approved for NSF/ANSI 61 for potable drinking water.
8. All materials shall be manufactured in the United States of America.
9. As-built drawings shall be prepared and submitted to the Authority on a CD in PDF and CAD format, indicating the location of all facilities installed before water is turned on.

SPECIFICATIONS FOR LADDER SAFETY POST:

1. Furnish and install where indicated on plans ladder safety post Model. The ladder post shall be pre-assembled from the manufacturer.
2. Performance Requirements:
 - a. Tubular post shall lock automatically when fully extended
 - b. Safety post shall have controlled upward and downward movement
 - c. Release lever shall disengage the post to allow it to be returned to its lowered position
 - d. Post shall have adjustable mounting brackets to fit ladder rung spacing up to 14" (356mm) on center and clamp brackets to accommodate ladder rungs up to 1-3/4" (44mm) in diameter.
3. Post: Shall be manufactured of high strength square tubing. A pull up loop shall be provided at the upper end of the post to facilitate raising the post.
4. Material of construction: Shall be Type 304 stainless steel (Model LU-3); or aluminum (Model LU-4).
5. Balancing spring: A stainless steel spring balancing mechanism shall be provided to ensure smooth, easy, controlled operations when raising and lowering the safety post.
6. Hardware: All mounting hardware shall be Type 316 stainless steel.

7. Finishes: Factory finish shall be yellow powder coat steel (Model LU-1), hot dip galvanized steel (Model LU-2), mill finish stainless steel (Model LU-3), or mill finish aluminum (Model LU-4).
8. Example provided in **Appendix J**.

LADDER SAFETY POST INSTALLATION (See manufacturer's instructions):

Install products in accordance with manufacturer's instructions.

APPENDIX J

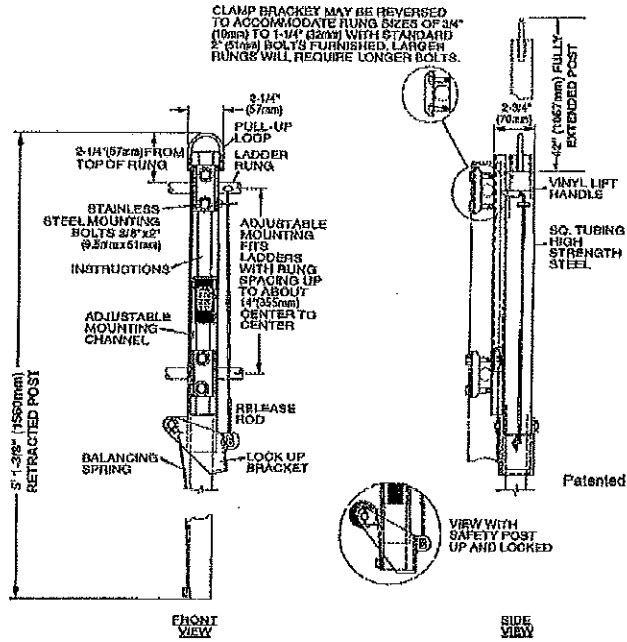
LadderUP® Safety Post

Specifications

Install on fixed ladder(s) below hatch cover(s), LadderUP® safety post Model as manufactured by The Bilco Company. Device shall be (refer to chart for material/finish* of model specified). It shall be designed with a telescoping tubular section that locks automatically when fully extended. Upward and downward movement shall be controlled by a stainless steel spring balancing mechanism. Unit shall be completely assembled with fasteners for securing to the ladder rungs in accordance with the manufacturer's instructions. * If installation is to be in corrosive atmosphere, specify Model LU-2, LU-3 or LU-4 as conditions warrant.

Standard Model and Weights

Model	Material/Finish	Weight	
		lbs.	kg.
LU-1	Steel, yellow powder coat	24	11
LU-2	Steel, hot dip galvanized	24	11
LU-3	Type 304 Stainless Steel	24	11
LU-4	Aluminum, mill finish	14	7



The Bilco Company
 P.O. Box 1203 • New Haven, CT 06505
 (203) 834-6363 • Fax (203) 833-8478
 www.bilco.com • e-mail: bilco@bilco.com

Copyright 2008. All rights reserved. Printed in the U.S.A.

SPECIFICATIONS

1. Pull up loop
2. Release rod w/ vinyl lift handle
3. Lock up bracket
4. Balancing spring
5. Square tubing
6. Adjustable mounting channel
7. Clamp bracket
8. Stainless steel mounting bolts (3/8-16 x 2")

NOTES:

1. The Bilco LadderUP safety post is furnished completely assembled ready to mount on rear of ladder with clamp brackets on climbing side. Ladder must be structurally sound and securely anchored.
2. On hollow round rung ladders insert solid round bar (same length as rung) into the top two rungs to provide additional strength and prevent crushing of the rung when the LadderUP is fastened.
3. Adjustable mounting fits ladders with rung spacing up to about 14" [355mm] center to center.
4. Clamp bracket may be reversed to accommodate rung sizes of 3/4" [19mm] to 1 1/4" [32mm] with standard 2" [51mm] bolts furnished. Larger rungs will require longer bolts.

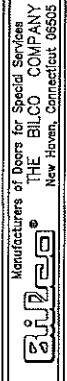
ROOF SCUTTLE NOT INCLUDED

Customer:

P.O. #:

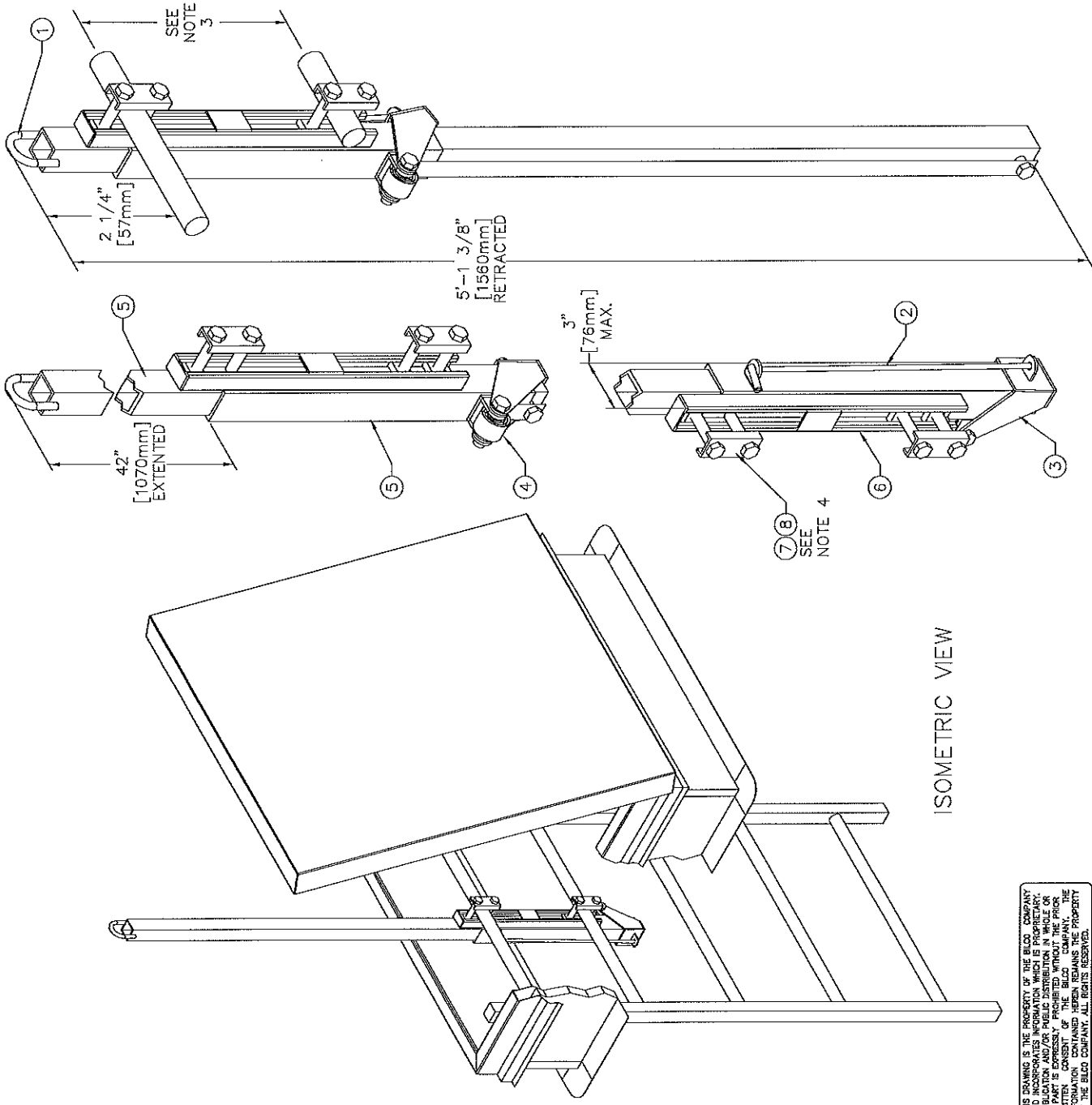
Job:

Stores Dept:



LADDER UP SAFETY POST

QTY	TYPE	MATERIAL/FINISH
<input type="checkbox"/>	LU-1	STEEL/BLACK ENAMEL
<input type="checkbox"/>	LU-2	STEEL/HOT DIPPED GALV.
<input type="checkbox"/>	LU-3	STAINLESS STEEL
<input type="checkbox"/>	LU-4	ALUMINUM/MILL FINISH



THIS DRAWING IS THE PROPERTY OF THE BILCO COMPANY. IT IS TO BE USED ONLY FOR THE PROJECT AND FOR PUBLICATION AND/OR PUBLIC DISTRIBUTION IN WHOLE OR IN PART IS EXPRESSLY PROHIBITED WITHOUT THE PRIOR WRITTEN CONSENT OF THE BILCO COMPANY. THE BILCO COMPANY ASSUMES NO LIABILITY FOR ANY ERRORS OR OMISSIONS. ALL RIGHTS RESERVED.

LadderUp Safety Post

Ideal for safer access

LadderUp® Safety Posts provide easier, safer ladder access through roof hatches, floor doors, and manholes. This telescopic post permanently mounts to the top two rungs of any fixed ladder, providing a positive hand-hold and enabling the user to enter or exit an opening in an upright and balanced position. Available in four different finishes.



FEATURES & BENEFITS

- 1 Telescopic design is spring balanced for ease of operation
- 2 Adjustable mounting hardware accommodates virtually any ladder rung size or spacing
- 3 Automatically locks in the fully raised position to provide the user with a firm and steady hand-hold
- 4 Handy release lever allows the post to be easily lowered to its retracted position
- 5 Available in four levels of corrosion resistance to provide many years of trouble free, dependable service.

SIZES & WEIGHTS

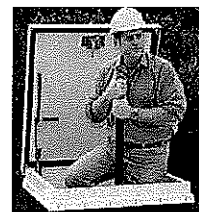
type	size	weight
LU-1	Steel/black enamel	11 kg.
LU-2	Steel hot dip galv	11 kg.
LU-3	Stainless type 304	11 kg.
LU-4	Aluminium mill finish	7 kg.



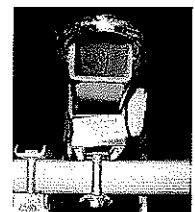
1 Telescopic design



2 Adjustable mounting

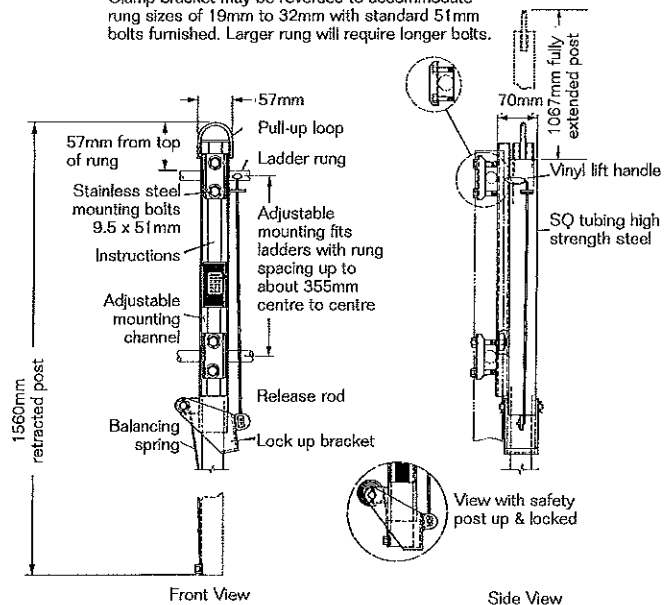


3 Automatically locks off



4 Handy release lever

Clamp bracket may be reversed to accommodate rung sizes of 19mm to 32mm with standard 51mm bolts furnished. Larger rung will require longer bolts.



Specifications

Install on fixed ladder(s) below hatch cover(s). LadderUp® safety post Model as manufactured by The Bilco Company. Device shall be (refer to chart for material/finish* of model specified). It shall be designed with a telescoping tubular section that locks automatically when fully extended. Upward and downward movement shall be controlled by a stainless steel spring balancing mechanism. Unit shall be completely assembled with fasteners for securing to the ladder rungs in accordance with the manufacturer's instructions. * If installation is to be in corrosive atmosphere, specify Model LU-2, LU-3 or LU-4 as conditions warrant.

Bilco LadderUP[®]

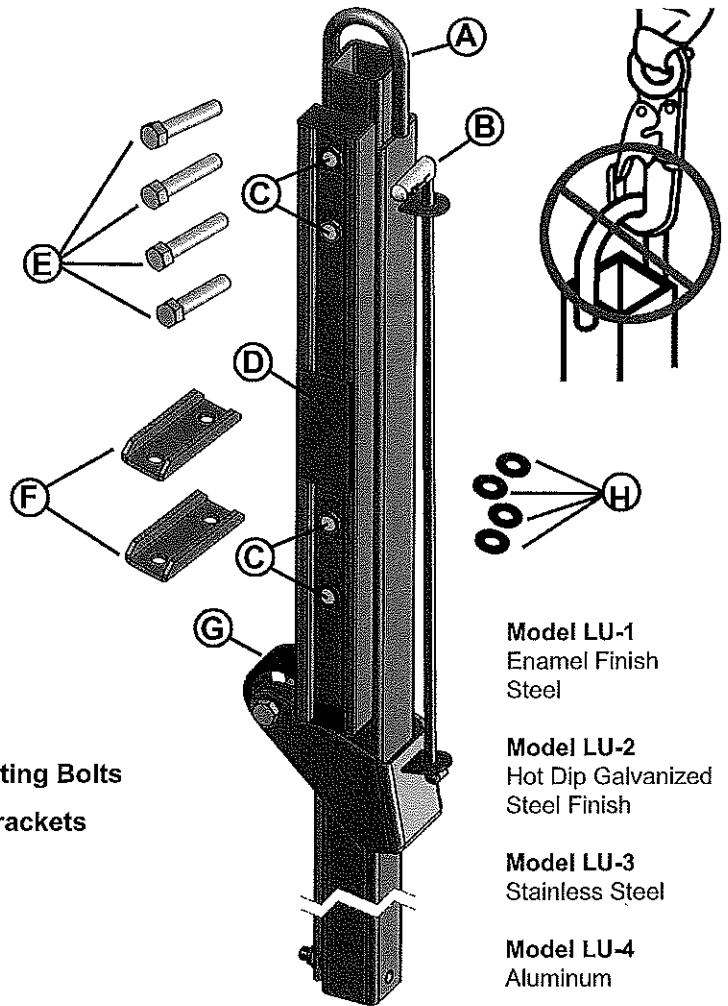
SAFETY POST

Installation Instructions

Important: Install only on structurally sound ladder. Use pull-up loop for raising post only, not suitable for attaching a safety harness lanyard.

The Bilco LadderUP safety post is furnished completely assembled for ready attachment to fixed ladder rungs. Included are two (2) channel clamping brackets, four (4) 2" (50mm) stainless steel bolts, and eight (8) stainless steel washers (note: washers are only used when securing to 3/4" (19mm) square or round ladder rungs - see detail below).

- (A) Pull Loop**
- (B) Post Release**
- (C) Spring Nuts**
- (D) Instructions**
- (E) Stainless Steel Mounting Bolts**
- (F) Channel Clamping Brackets**
- (G) Coil Spring**
- (H) Washers**



Model LU-1
Enamel Finish
Steel

Model LU-2
Hot Dip Galvanized
Steel Finish

Model LU-3
Stainless Steel

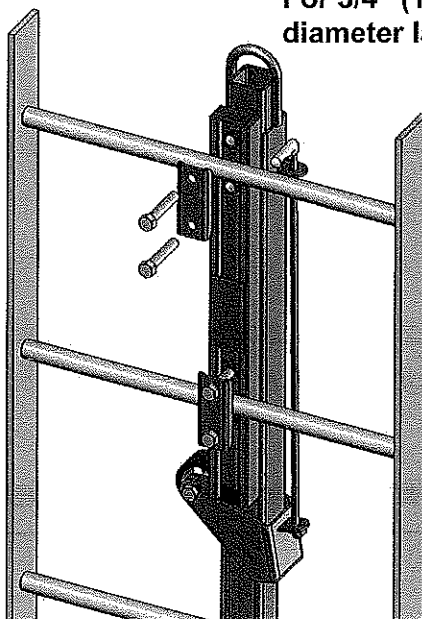
Model LU-4
Aluminum

Standard Installation:

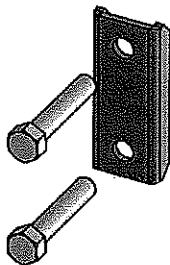
It is recommended that two persons install the LadderUP Safety Post

1. Position the LadderUP safety post opposite the climbing side of the ladder as shown below. Note: Spring nuts can be moved to accommodate ladder rung spacing. Simply push in spring nut slightly and slide into position.
2. Determine the diameter of the ladder rungs and secure post to the top two ladder rungs as instructed below using the clamping brackets, bolts and washers provided. Tighten bolts securely.

For 3/4" (19mm) or 1" (25mm) diameter ladder rungs

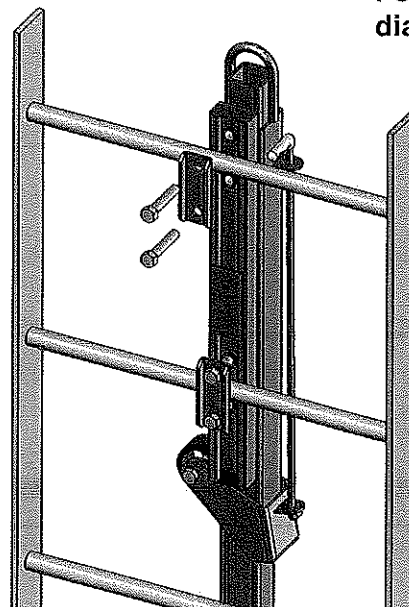


Clamp bracket with flanges toward the ladder rungs.

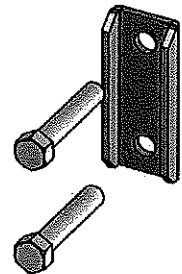


Use washers under heads of bolts for 3/4" (19mm) rungs.

For 1-1/4" (32mm) diameter ladder rungs



Clamp bracket with flanges away from ladder rungs.



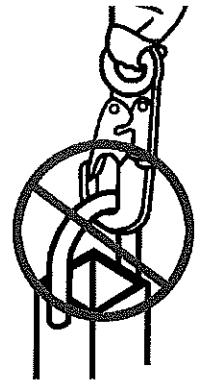
Washers not used.

See reverse side for special applications and additional installation methods

Bilco ladderUP[®] SAFETY POST

Installation Instructions

Important: Install only on structurally sound ladder. Use pull-up loop for raising post only, not suitable for attaching a safety harness lanyard.



Special applications and additional installation methods

It is recommended that two persons install the LadderUP Safety Post

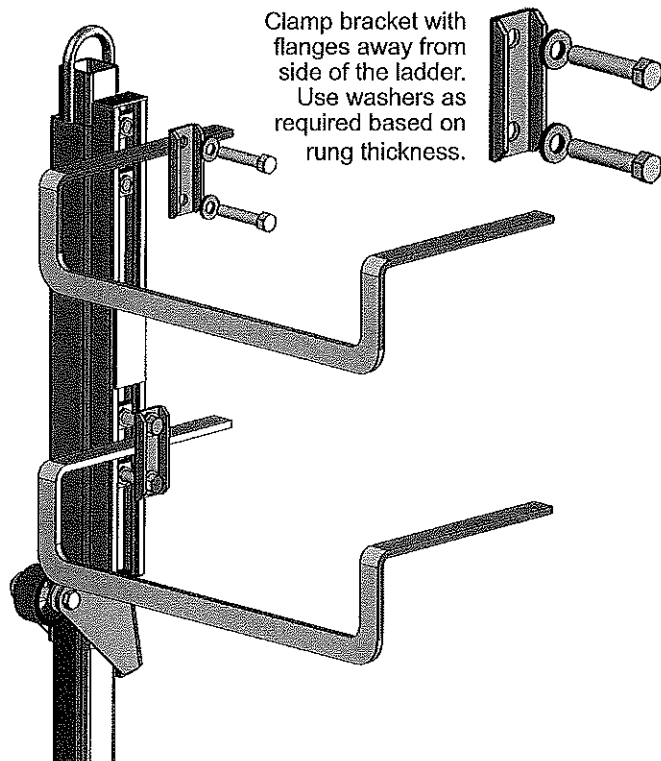
Mounting on Hollow Ladder Rungs

On hollow round rung ladders, two pieces of solid aluminum or steel round bar are required to fit inside the rungs. Insert these pieces into the two rungs to which then safety post will be fastened. This will provide additional strength and a solid support to prevent crushing when the bolts are tightened. See reverse side for attachment instructions.

Mounting on Precast Ladder Rungs that are too narrow for a standard installation

Where rungs are installed in precast concrete and the rung spacing is too narrow to permit standard center mounting, the LadderUP Safety Post can be mounted to the side of the rungs as shown below.

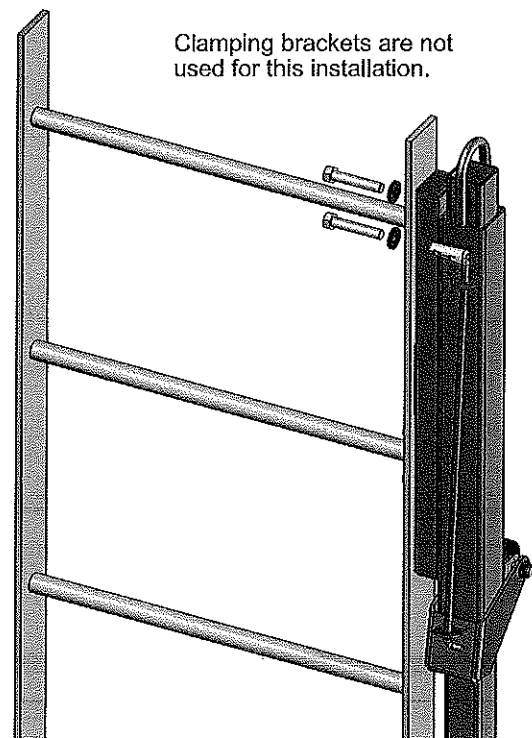
1. Position the LadderUP safety post. Note: Spring nuts can be moved to accommodate spacing. Simply push in spring nut slightly and slide into position.
2. Secure the post to the top two ladder rungs using the clamping brackets, bolts and washers provided. Tighten bolts securely.



Mounting on the Side of the Ladder

The LadderUP Safety Post may be mounted on one of the fixed ladder rails instead of on the rungs if desired.

1. Position the LadderUP safety post at the top of the ladder rail as shown and mark its location on the ladder.
2. Transfer the hole locations for the safety post spring nuts onto the ladder rail. Note: Spring nuts can be moved if they interfere with a ladder rung. Simply push in spring nut slightly and slide into position.
3. Drill (4) 7/16" (12 mm) diameter holes into the ladder rail.
3. Secure the post to the rail using bolts and washers provided. Tighten bolts securely.



www.bilco.com