

# Southeast Morris County Municipal Utilities Authority

19 SADDLE ROAD • CEDAR KNOLLS, NEW JERSEY 07927 • TEL 973-326-6880 • FAX 973-326-9521

## GATE VALVES

### GENERAL

The Southeast Morris County Municipal Utilities Authority (referred to herein as the "Authority") is subject to the standard terms and conditions set forth by the Authority's Rules and Regulations, pursuant to N.J.S.A. 40:14B.

As a public water supply, the Authority is required to protect and provide safe drinking water to consumers in accordance with the N.J.A.C. 7:10 Safe Drinking Water Act Rules.

The Authority is committed to providing an efficient process for developers to achieve their project goals in accordance with the Authority's Rules and Regulations.

Developers interested in conducting business with the Authority shall comply with the standard terms and conditions mandated by the Authority's Rules and Regulations.

Developer shall mean applicant responsible for application, fees and contract agreement with the Authority.

### REFERENCE

ANSI/AWWA	American National Standards Institute/American Water Works Standards
C104/A21.4-13	Cement-Mortar Lining for Ductile-Iron Pipe and Fittings
C110/A21.10-12	Ductile-Iron and Gray-Iron Fittings
C111/A21.11-12	Rubber-Gasket Joints for Ductile-Iron Pressure Pipe and Fittings
C151/A21.51-09	Ductile-Iron Pipe, Centrifugally Cast
C502-05	Dry-Barrel Fire Hydrants
C509-09	Resilient-Seated Gate Valves for Water Supply Service
C511-07	Reduced-Pressure Principle Backflow Prevention Assembly
C651-05	Disinfecting Water Mains
C700-09	Cold-Water Meters – Displacement Type, Bronze Main Case
C702-10	Cold-Water Meters – Compound Type
C703-11	Cold-Water Meters – Fire-Service Type
ASTM	American Society for Testing and Materials
ASTM B88	Standard Specification for Seamless Copper Water Tube
N.J.S.A. 40:14B	New Jersey Statutes – Title 40 Municipal and County Utilities Authorities Law
N.J.A.C. 7:10	New Jersey Administrative Code – Title 7 Safe Drinking Water Act Rules
NSF	National Sanitation Foundation International Standard
NSF/ANSI 61	Drinking Water System Components -- Health Effects
Rules and Regulations	The Southeast Morris County Municipal Utilities Authority's Rules and Regulations

## REQUIREMENTS

1. Developers shall verify that all submittals conform to local, county and state ordinances.
2. Road opening permits on local and county roads shall be obtained by the developer. State road opening permits shall be obtained by the Authority at the developer's expense.
3. All excavation and backfill shall be the responsibility of the developer.
4. Only authorized personnel of the Authority will be permitted to make connections to the water mains of the Authority, access and operate curb stops, hydrants and valves as mandated by the Rules and Regulations.
5. All proposed materials shall be submitted for approval. Failure to submit information shall cause the Authority to reject work and deny water service.
6. All materials submitted for approval shall be of first-class high-grade quality, clean and sound and conform to the latest revisions of ANSI/AWWA Standards. No inferior or low-grade materials will be approved or accepted.
7. All materials shall be approved for NSF/ANSI 61 for potable drinking water.
8. All materials shall be manufactured in the United States of America.
9. As-built drawings shall be prepared and submitted to the Authority on a CD in PDF and CAD format, indicating the location of all facilities installed before water is turned on.

## SPECIFICATIONS FOR GATE VALVES:

1. Gate valves shall be in compliance with ANSI/AWWA C509-09.
2. Mechanical joints shall be in conformance with ANSI/AWWA C111/A21.11-07.
3. Gate valves shall be required to meet the following:
  - a. Iron body, inside screw, fully bronze mounted, resilient seated;
  - b. Adapted to working water pressure of 175 psi;
  - c. **Open right, clockwise with a non-rising stem;**
  - d. Stem sealing shall be double o-ring stem seal type for non-rising valve;
  - e. On flanged of operating nut, casted with arrow showing the direction of opening and the word "OPEN";
  - f. Vertical and provided with mechanical joint ends;
  - g. Equipped with test plugs;
  - h. Factory tested of at least 325 psi;
  - i. MEGALUG retainer glands; and
  - j. Manufactured by the Mueller Company or approved equal.
4. Example provided in **Appendix A**.

## APPENDIX A

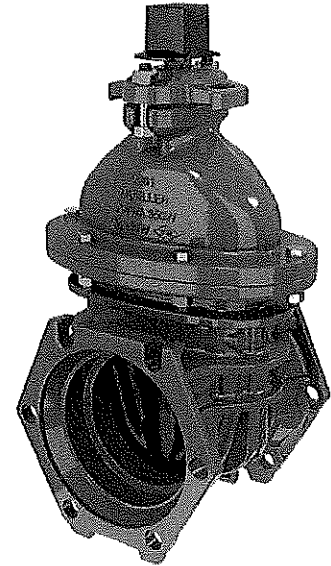
# 10.4



## 4" - 12" A-2361 RESILIENT WEDGE GATE VALVES - M.J. x M.J.

Rev. 4-14

- Catalog number--  
**A-2361-20** Mechanical joint ends (with accessories unassembled)  
**A-2361-23** Mechanical joint ends (less accessories)  
**A-2361-25** Mechanical joint ends (with transition gaskets accessories unassembled)
- Sizes – 4", 6", 8", 10", 12"
- Meets or exceeds all applicable requirements of ANSI/AWWA C515 Standard, UL Listed, FM Approved, and certified to ANSI/NSF 61.
- Standard mechanical joint ends comply with ANSI/AWWA C111
- Iron body with nominal 10 mils MUELLER® Pro-Gard® Fusion Epoxy Coated interior and exterior surfaces
- Epoxy coating meets or exceeds all applicable requirements of ANSI/AWWA C550 Standard.
- Iron wedge, symmetrical & fully encapsulated with molded rubber; no exposed iron
- Non-rising stem (NRS)
- Triple O-ring seal stuffing box (2 upper & 1 lower O-rings) with fourth o-ring serving as dirt seal
- 2" square wrench nut (optional handwheel available)—open left or open right
- 350 psig (2400 kPa/24 barg) maximum working pressure, 700 psig (4800 kPa/48 barg) static test pressure
- UL Listed, FM Approved: 350 psig (2400 kPa/24 barg)
- Mueller valves are designed for potable water application



A-2361-20

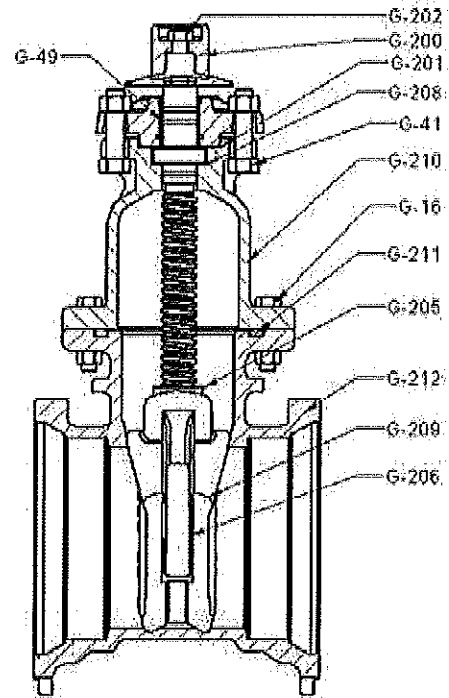
### Options

See page 10.46 for more information on Resilient Wedge Gate Valve options

- Position indicators
- Stainless steel fasteners: Type 316
- Stainless steel stem: Type 304, Type 316
- ASTM B98-C66100/H02 stem
- Handwheel
- EPDM Disc and o-rings

### Resilient wedge gate valve parts

Catalog Part No.	Description	Material	Material Standard
G-16	Bonnet Bolts & Nuts	304 Stainless Steel	ASTM F593 (bolt) ASTM F594 (nut)
G-41	Stuffing Box Bolts & Nuts	304 Stainless Steel	ASTM F593 (bolt) ASTM F594 (nut)
G-49	Stem O-rings (3)	Nitrile	ASTM D2000
G-200	Wrench Nut Cap Screw	304 Stainless Steel	ASTM F593
G-201	Stuffing Box O-ring	Nitrile	ASTM D2000
G-202	Wrench Nut	Ductile Iron	ASTMA536 ▼
G-203	Stem	Bronze	ASTM B138
G-204	Hand Wheel (not shown)	Cast iron	ASTMA126 CL.B
G-205	Stem Nut	Bronze	ASTM B584
G-206	Guide Cap Bearings	Acetal	-
G-207	Stuffing Box with dirt seal	Ductile Iron Nitrile	ASTM A536 ▼ ASTM D200
G-208	Anti-friction Washers (2)	Acetal	-
G-209	Wedge, Rubber Encapsulation	Ductile Iron* SBR	ASTM A536 ▼ ASTM D2000
G-210**	Bonnet	Ductile iron	ASTM A536 ▼
G-211**	Bonnet gasket	Nitrile	ASTM D2000
G-212**	Body	Ductile Iron	ASTM A536 ▼



\*Fully encapsulated in molded rubber with no iron exposed  
 ▼ Material strength ASTM A536 65-45-12 minimum

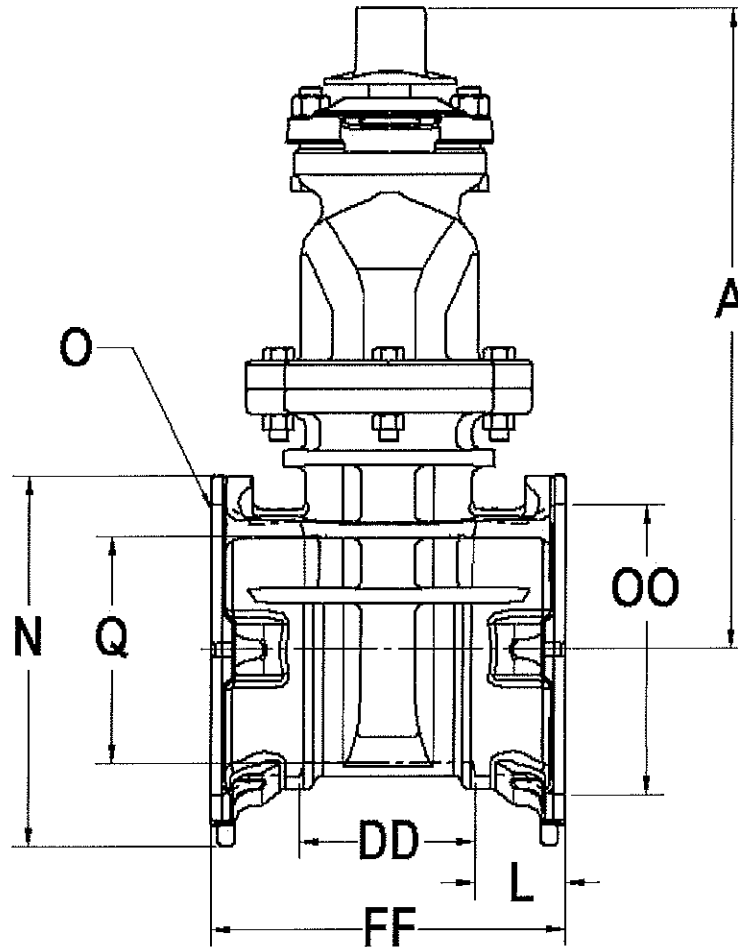
SEE PAGE 10.53 FOR ORDERING INSTRUCTIONS

# 4"- 12" A-2361 RESILIENT WEDGE GATE VALVES - M.J. x M.J.

**Mueller Co.**

# 10.5

Shaded area indicates change Rev. 11-14



## Dimensions

Dimension	Nominal Size				
	4"	6"	8"	10"	12"
A	14.19	18.00	21.50	25.50	28.62
FF	9.50	10.00	10.50	11.50	12.00
L	2.50	2.50	2.50	2.50	2.50
N	8.40	10.41	12.68	15.24	18.024
O (number and size of holes)	4--.88	6--.88	6--.88	8--.88	8--.88
DD	4.50	5.00	5.50	6.50	7.00
Q	4.30	6.30	8.30	10.30	12.30
OO (bolt circle diameter)	7.50	9.50	11.75	14.00	16.25
Turns to open	14	20.5	26.5	33.0	38.5
Weight*	75	124	181	270	345

\*All dimensions are in inches. All weights include accessories are in pounds and are approximate.