

# Southeast Morris County Municipal Utilities Authority

19 SADDLE ROAD • CEDAR KNOLLS, NEW JERSEY 07927 • TEL 973-326-6880 • FAX 973-326-9521

## ALUMINUM HATCH DOOR

### GENERAL

The Southeast Morris County Municipal Utilities Authority (referred to herein as the “Authority”) is subject to the standard terms and conditions set forth by the Authority’s Rules and Regulations, pursuant to N.J.S.A. 40:14B.

As a public water supply, the Authority is required to protect and provide safe drinking water to consumers in accordance with the N.J.A.C. 7:10 Safe Drinking Water Act Rules.

The Authority is committed to providing an efficient process for developers to achieve their project goals in accordance with the Authority’s Rules and Regulations.

Developers interested in conducting business with the Authority shall comply with the standard terms and conditions mandated by the Authority’s Rules and Regulations.

Developer shall mean applicant responsible for application, fees and contract agreement with the Authority.

### REFERENCE

|                       |   |
|-----------------------|---|
| ANSI/AWWA             | American National Standards Institute/American Water Works Standards              |
| C104/A21.4-13         | Cement-Mortar Lining for Ductile-Iron Pipe and Fittings                           |
| C110/A21.10-12        | Ductile-Iron and Gray-Iron Fittings   |
| C111/A21.11-12        | Rubber-Gasket Joints for Ductile-Iron Pressure Pipe and Fittings                  |
| C151/A21.51-09        | Ductile-Iron Pipe, Centrifugally Cast   |
| C502-05               | Dry-Barrel Fire Hydrants  |
| C509-09               | Resilient-Seated Gate Valves for Water Supply Service                             |
| C511-07               | Reduced-Pressure Principle Backflow Prevention Assembly                           |
| C651-05               | Disinfecting Water Mains  |
| C700-09               | Cold-Water Meters – Displacement Type, Bronze Main Case                           |
| C702-10               | Cold-Water Meters – Compound Type   |
| C703-11               | Cold-Water Meters – Fire-Service Type   |
| ASTM                  | American Society for Testing and Materials  |
| ASTM B88              | Standard Specification for Seamless Copper Water Tube                             |
| N.J.S.A. 40:14B       | New Jersey Statutes – Title 40 Municipal and County Utilities Authorities Law     |
| N.J.A.C. 7:10         | New Jersey Administrative Code – Title 7 Safe Drinking Water Act Rules            |
| NSF                   | National Sanitation Foundation International Standard                             |
| NSF/ANSI 61           | Drinking Water System Components – Health Effects                                 |
| Rules and Regulations | The Southeast Morris County Municipal Utilities Authority’s Rules and Regulations |

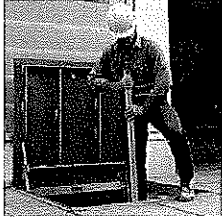
## REQUIREMENTS

1. Developers shall verify that all submittals conform to local, county and state ordinances.
2. Road opening permits on local and county roads shall be obtained by the developer. State road opening permits shall be obtained by the Authority at the developer's expense.
3. All excavation and backfill shall be the responsibility of the developer.
4. Only authorized personnel of the Authority will be permitted to make connections to the water mains of the Authority, access and operate curb stops, hydrants and valves as mandated by the Rules and Regulations.
5. All proposed materials shall be submitted for approval. Failure to submit information shall cause the Authority to reject work and deny water service.
6. All materials submitted for approval shall be of first-class high-grade quality, clean and sound and conform to the latest revisions of ANSI/AWWA Standards. No inferior or low-grade materials will be approved or accepted.
7. All materials shall be approved for NSF/ANSI 61 for potable drinking water.
8. All materials shall be manufactured in the United States of America.
9. As-built drawings shall be prepared and submitted to the Authority on a CD in PDF and CAD format, indicating the location of all facilities installed before water is turned on.

## SPECIFICATIONS FOR ALUMINUM HATCH DOOR:

1. Aluminum hatch door shall have a 48" double leaf opening
2. Door shall be reinforced to withstand H-20 wheel loading
3. Example provided in **Appendix H**.

## **APPENDIX H**



# Standard Sizes and Shipping Weights

## Floor Access Doors - With Drainage Channel Frame

| APPLICATION  | SIZE             |             | ALUMINUM  |        |         | STEEL   |        |     |
|--|------------------|-------------|-----------|--------|---------|---------|--------|-----|
|  | (width x length) |             | Model#    | Weight |         | Model#  | Weight |     |
|  | inches           | mm          |           | lbs.   | kg.     |         | lbs.   | kg. |
| Reinforced for a 300 lb/ft <sup>2</sup><br>(1464 kg/m <sup>2</sup> ) Live Load | 24 X 24          | 610 X 610   | J-1AL     | 65     | 29      | J-1     | 179    | 81  |
|  | 30 X 30          | 762 X 762   | J-2AL     | 88     | 40      | J-2     | 231    | 105 |
|  | 36 X 30          | 914 X 762   | J-3AL     | 97     | 44      | J-3     | 274    | 124 |
|  | 36 X 36          | 914 X 914   | J-4AL     | 108    | 49      | J-4     | 300    | 136 |
|  | 42 X 42          | 1067 X 1067 | J-5AL     | 135    | 61      | J-5     | 402    | 182 |
|  | 30 X 48          | 762 X 1219  | J-6AL     | 115    | 52      | J-6     | 317    | 144 |
|  | 36 X 48          | 914 X 1219  | J-7AL     | 127    | 58      | J-7     | 389    | 176 |
|  | 30 X 60          | 762 X 1524  | J-8AL     | 152    | 69      | J-8     | 373    | 169 |
|  | 36 X 60          | 914 X 1524  | J-9AL     | 160    | 73      | J-9     | 462    | 210 |
|  | 36 X 72          | 914 X 1829  | J-10AL    | 188    | 85      | J-10    | 498    | 226 |
|  | 48 X 30          | 1219 X 762  | JD-1AL    | 145    | 66      | JD-1    | 365    | 166 |
|  | 48 X 48          | 1219 X 1219 | JD-2AL    | 173    | 78      | JD-2    | 498    | 226 |
|  | 48 X 72          | 1219 X 1829 | JD-3AL    | 234    | 106     | JD-3    | 652    | 296 |
|  | 60 X 60          | 1524 X 1524 | JD-4AL    | 241    | 109     | JD-4    | 663    | 301 |
| Reinforced for an<br>AASHTO H-20 Wheel Load                                    | 24 X 24          | 610 X 610   | J-1ALH20  | 110    | 50      | J-1H20  | 250    | 113 |
|  | 30 X 30          | 762 X 762   | J-2ALH20  | 124    | 56      | J-2H20  | 350    | 159 |
|  | 36 X 30          | 914 X 762   | J-3ALH20  | 165    | 75      | J-3H20  | 425    | 193 |
|  | 36 X 36          | 914 X 914   | J-4ALH20  | 174    | 79      | J-4H20  | 490    | 222 |
|  | 42 X 42          | 1067 X 1067 | J-5ALH20  | 235    | 107     | J-5H20  | 635    | 288 |
|  | 48 X 30          | 1219 X 762  | JD-1ALH20 | 201    | 91      | JD-1H20 | 532    | 241 |
|  | 48 X 48          | 1219 X 1219 | JD-2ALH20 | 293    | 133     | JD-2H20 | 815    | 370 |
|  | 48 X 72          | 1219 X 1829 | JD-3ALH20 | 485    | 220     | JD-3H20 | 1235   | 560 |
| 60 X 60  | 1524 X 1524      | JD-4ALH20   | 500       | 227    | JD-4H20 | 1180    | 535    |     |

Models with "D" in the model # indicate double leaf configuration



In addition to the standard sizes shown above, Bilco can custom fabricate products to meet your special size requirements. Contact The Bilco Company or your local sales representative.

**SPECIFICATIONS**

1. Bilco heavy duty forged stainless steel hinges with stainless steel pins
2. Bilco automatic hold open arm
3. 1-1/2" drain coupling
4. Standard slam lock
5. 1/4" aluminum diamond pattern plate cover
6. Bilco 1/4" aluminum channel frame with recessed anchors
7. Heavy duty check chain
8. Stainless steel lifting mechanism

SHOP FINISH: MILL FINISH  
 ALUMINUM: TYPE 316 STAINLESS STEEL  
 HARDWARE: (unless otherwise specified)

REINFORCED FOR H2O LOADING

**INSTALLER NOTES:**

- A. Use caution. Cover is spring loaded. Do not remove safety shipping bolt until unit is to be installed and in normal horizontal operating position.
- B. Be sure unit is set on slight pitch toward drain corner.
- C. Before anchoring in place open and close door. Check to see that the door in the closed position rests on the frame all around. If not, shim under the frame at the proper corner.
- D. Do not reduce 1/2" drain pipe to dry well or disposal system.
- E. Bend down anchors if required

Customer:

P.O. #:

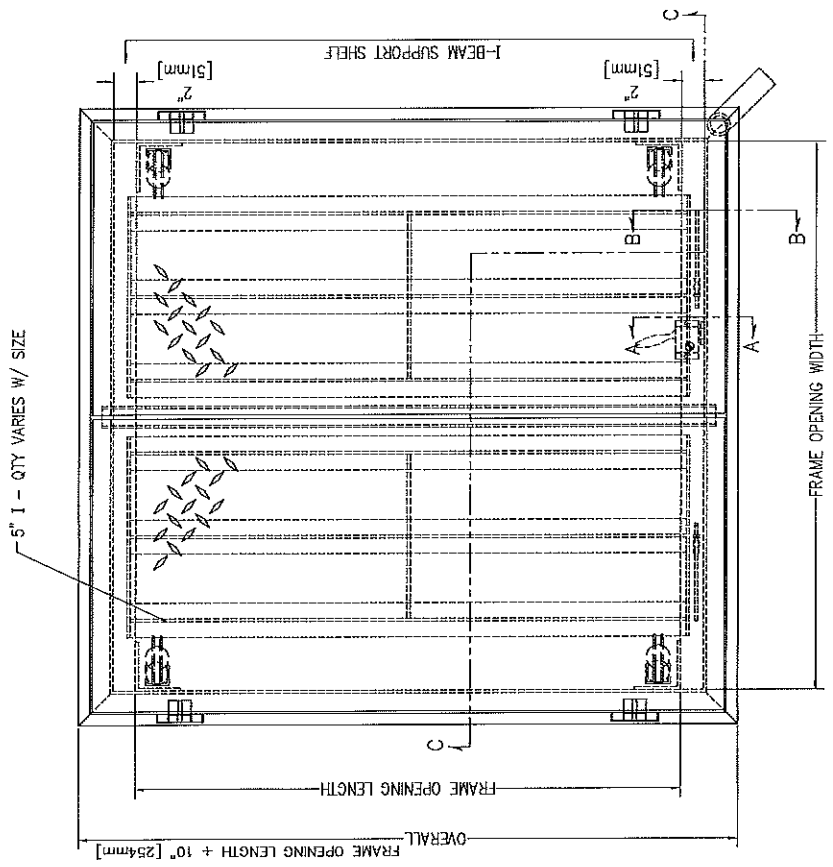
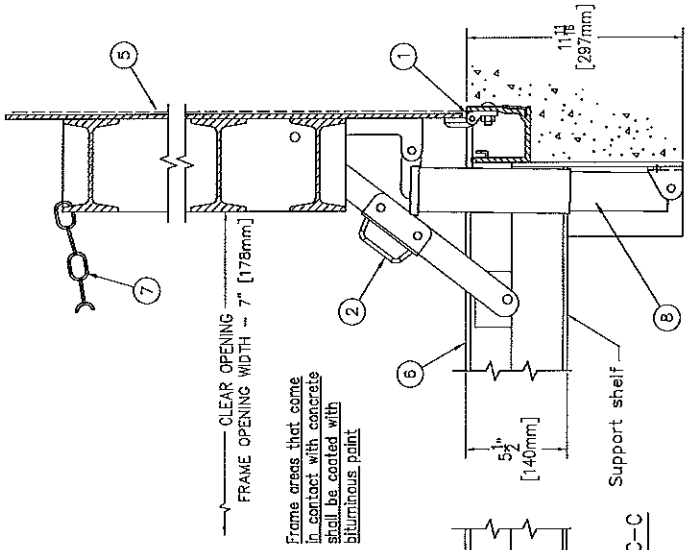
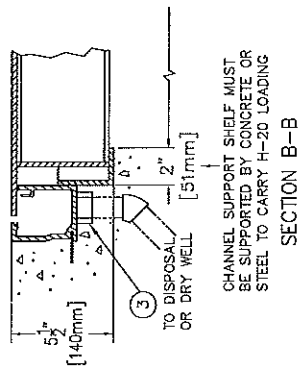
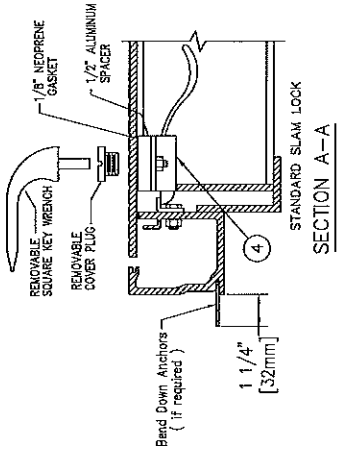
Job:

Sales Rep:

Manufacturers of Doors for Special Services  
**THE BILCO COMPANY**  
 New Haven, Connecticut 06605

**DOUBLE LEAF ACCESS DOOR  
 TYPE JD-ALH20 - EXTERIOR**

| QTY                      | TYPE      | SIZE<br>WIDTH x LENGTH               |
|--------------------------|-----------|--------------------------------------|
| <input type="checkbox"/> | JD-1ALH20 | 4'-0" x 2'-6"<br>[1220mm] x [762mm]  |
| <input type="checkbox"/> | JD-2ALH20 | 4'-0" x 4'-0"<br>[1220mm] x [1220mm] |
| <input type="checkbox"/> | JD-3ALH20 | 4'-0" x 6'-0"<br>[1220mm] x [1830mm] |
| <input type="checkbox"/> | JD-4ALH20 | 5'-0" x 5'-0"<br>[1525mm] x [1525mm] |



NOTE: DESIGNED TO WITHSTAND H-20 WHEEL LOADINGS SUITABLE FOR USE IN OFF-STREET LOCATIONS WHERE NOT SUBJECTED TO HIGH DENSITY TRAFFIC

THIS DRAWING IS THE PROPERTY OF THE BILCO COMPANY AND INCORPORATES INFORMATION WHICH IS PROPRIETARY PUBLICATION AND/OR PUBLIC DISTRIBUTION IN WHOLE OR IN PART IS EXPRESSLY PROHIBITED WITHOUT THE PRIOR WRITTEN CONSENT OF THE BILCO COMPANY. THE BILCO COMPANY ASSUMES NO LIABILITY FOR REPAIRS TO THE PROPERTY OF THE BILCO COMPANY. ALL RIGHTS RESERVED.