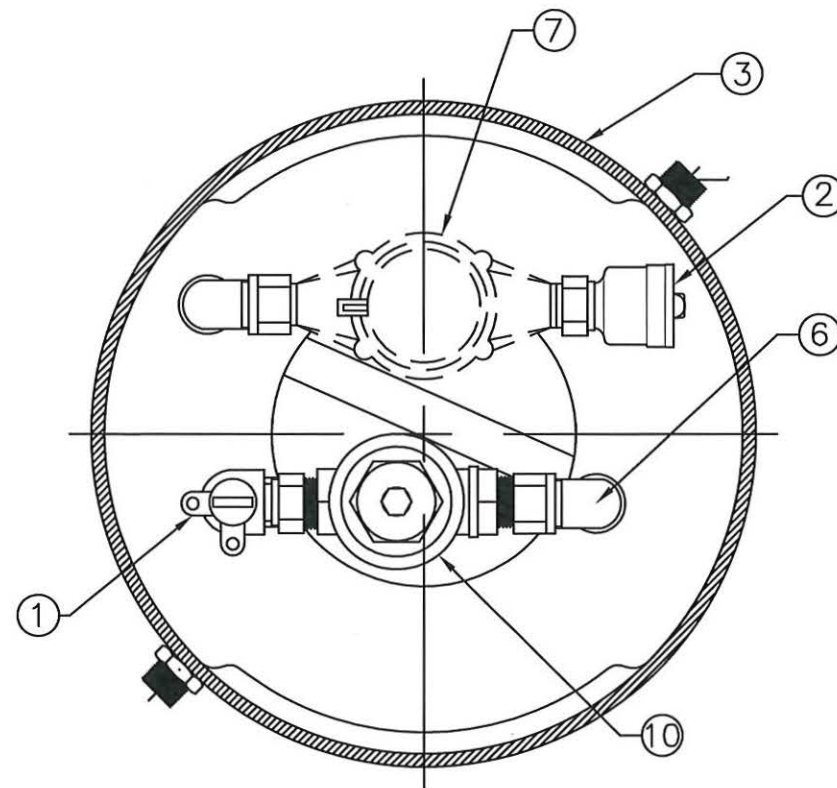


ITEM	DESCRIPTION	PART NO.	REQ'D
1	1" FULL PORT BALL VALVE	B24265N	1
2	1" DUAL CHECK VALVE	H14244N	1
3	18" SHELL SUB-ASSEMBLY		1
4	SCALLOPED PLATFORM		1
5	1" HEX NUT		8
6	1" METER COUPLING	H14210N	2
7	METER (NOT INCLUDED)		----
8	COMPOSITE SIDE LOCKING LID W/ U BRACKET(SOLD SEPARATELY)	311955-U	----
9	18" X 4" INSULATING PAD (SOLD SEPARATELY)	790153	----
10	PRV (SEE SPECIFICATIONS)		----

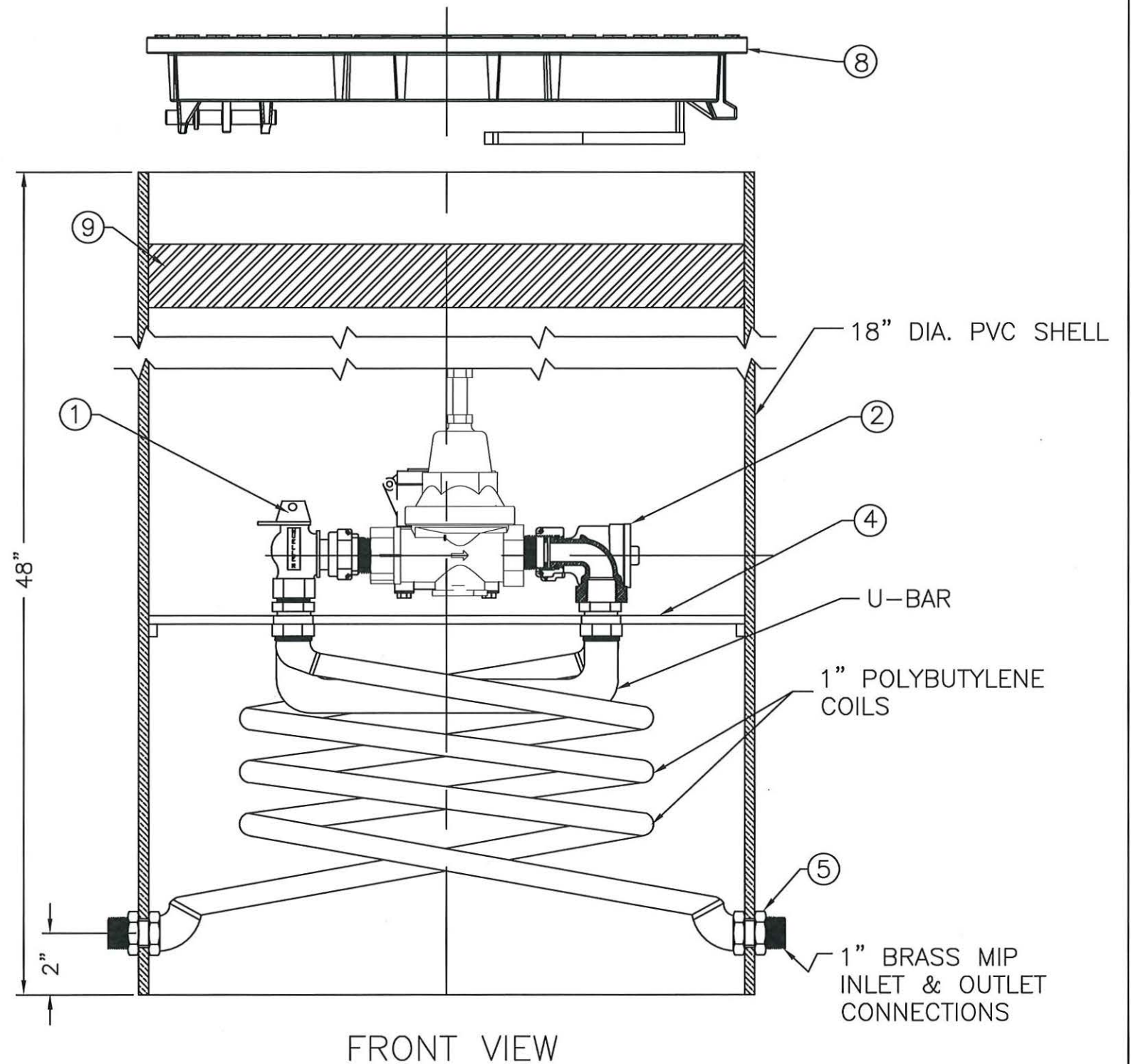
SOUTHEAST MORRIS COUNTY M.U.A. METER PIT SPECIFICATION

*NOTE: THE AUTHORITY PROVIDES THE METER, THE DEVELOPER PROVIDES THE PRV

*NOTE: IF THE PIT IS TO BE INSTALLED IN A LOCATION WITH A PAVED OR CONCRETE SURFACE OR WHERE THERE IS THE POTENTIAL FOR VEHICLE DRIVE-OVER, FRAME, PART# 700098, AND METALLIC LID, PART# 780113, SHALL BE PROVIDED IN LIEU OF THE COMPOSITE LID, PART# 311955-U.



TOP VIEW



FRONT VIEW

PART NUMBER
330CT1848FBSN

DRFT'R	BBF	12/08/17	THIRD ANGLE PROJECTION	REF. NO.	SCALE
CHK'R					NONE
E.O. NUMBER				STOCK No.	
DESCR.			NUMBER		
1" COIL TANDEM METER PIT 18" DIA X 48" DEPTH LOW LEAD BRASS			330CT1848FBSN		
			SHEET 1 OF 1		

REV.	DESCRIPTION	REF.	DRFT'R	CHK'R	APP	DATE



1" Meter Pit Specification

1. The meter pit shall be of a round style and made from PVC plastic with a minimum wall thickness of 0.300", to prevent distortion when backfilling.
2. The meter pit shall have an 18" diameter and a bury depth of 48".
3. The meter pit shall have locking brackets to accommodate a side locking style lid.
4. The meter pit shall have a brass 1" male iron pipe connection on the inlet and outlet that shall pass through the box wall and shall be locked into place by brass hex nuts.
5. The meter pit tubing shall be polybutylene, and shall be attached to the interior of the inlet and outlet connections. The tubing shall have a pressure rating of 250 psig and shall be crimped in place to a brass connector with an internal stiffener to support the tubing. The opposite end of the tubing shall be attached to another brass connector on the meter platform in a similar manner. The tubing between the inlet and platform connection shall be permanently coiled.
6. The meter pit shall have a steel platform, scalloped on the sides to easily pass over the side locking brackets. The platform will house a tandem setting for the meter and pressure reducing valve. The platform shall be designed so it can be raised to the top of the box without disconnecting any piping. In the raised position, the platform shall be capable of being set atop the locking brackets at the top of the box, allowing the meter and/or valves to be serviced at ground level. A PVC ring shall support the platform and provide additional rigidity to the meter box.
7. The meter pit shall have a full port, lock wing, ball angle meter valve for its meter inlet, a meter coupling for the meter outlet, a meter coupling for the pressure reducing valve inlet, and an angle dual check valve for the pressure reducing valve outlet connection. All brass components in contact with potable water must be made from either CDA/UNS Brass Alloys C89520 or C89833 with a maximum lead content of 0.25% by weight. Brass alloys not listed in ANSI/AWWA C800 Paragraph 4.1.2 are not approved.
8. The meter pit lid shall be an 18", non-metallic, composite style lid with a side locking pentagon nut. The lid shall come equipped with a mounting bracket for electronic meter reading. If the meter pit is installed in a location with a paved or concrete surface or where there is a chance of vehicle drive-over, the meter pit lid shall be an 18", metallic lid with a side locking pentagon nut and the lid shall come equipped with a pre-drilled hole for electronic meter reading.



Southeast Morris County Municipal Utilities Authority

19 SADDLE ROAD • CEDAR KNOLLS, NEW JERSEY 07927 • TEL 973-326-6880 • FAX 973-326-9521

9. The meter pit shall have an 18" x 4" closed cell insulating pad with a nylon strap handle to trap warm air from the earth and keep the air around the meter above freezing.
10. The meter pit shall be made in the U.S.A.
11. The meter pit shall be a Mueller Thermal-Coil. The pit shall be part # 330CT1848FBBSN. The pit shall be provided with lid (with bracket) part # 311955-U, and pad, part # 790153, or a pre-approved equal. If the pit is to be installed in a location with a paved or concrete surface or where there is the potential for vehicle drive-over, frame, part # 700098, and metallic lid, part # 780113, shall be provided in lieu of the composite lid, part # 311955-U.
12. The pressure reducing valve shall be a Zurn Wilkins Model NR3XL or equal. All bronze and brass parts shall be "Low Lead" meeting ASTM B 584; NSF/ANSI 61. The size will be equal to the diameter of the water service supply line in the meter pit. The connections shall be double male meter threads (DM) of the proper size to fit the space provided. Other end connections will be acceptable if meter coupling connections were not provided by the meter pit manufacturer.
13. If the meter pit is installed upstream of a hot water heater, protection for the hot water heater from thermal expansion, in accordance with state and local plumbing codes, shall be confirmed. If no protection from thermal expansion exists, it shall be provided in accordance with state and local plumbing codes.
14. The meter pit shall be installed downstream of a curb box or an equivalent means of isolating the meter pit shall be provided.

Failure to comply with any of these above requirements is sufficient cause for rejection of the proposed meter pits and pressure reducing valves.

The Southeast Morris County M.U.A. reserves the right to accept only those materials which are in full compliance with these specifications and deemed most advantageous to its interests.